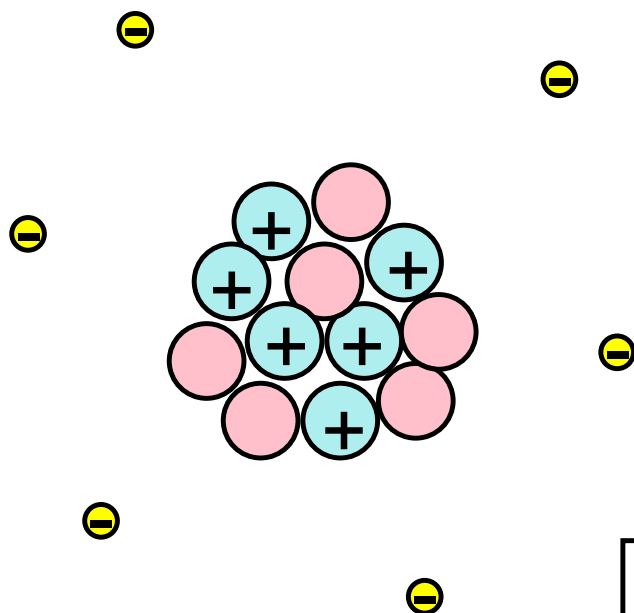


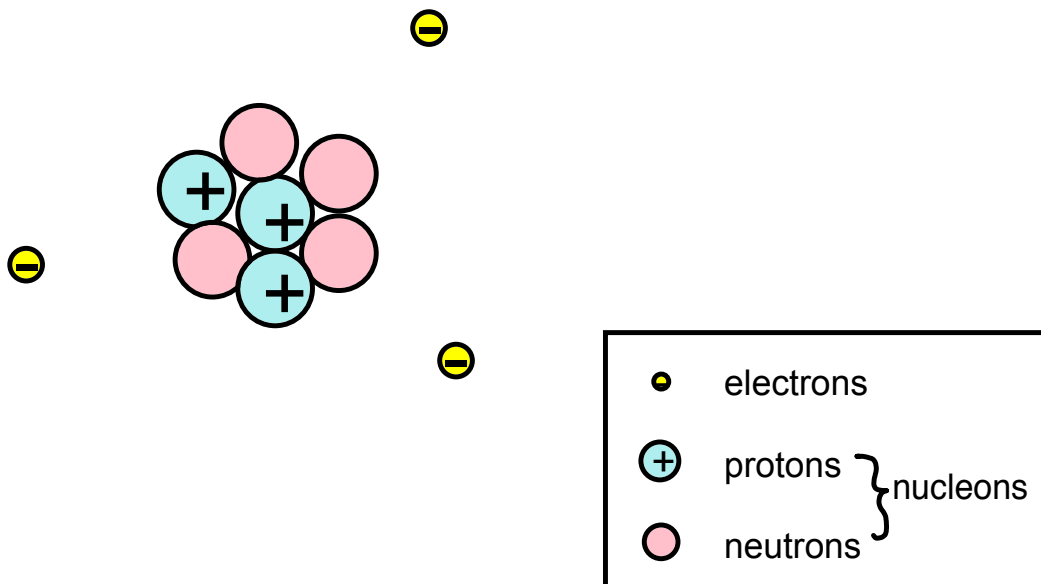
<p>6 C Carbon 12.01</p>



	electrons	
	protons	} nucleons
	neutrons	

Protons = 6 (atomic number)
 Electrons = 6 (same as protons)
 Nucleons = 12 (particles in nucleus = rounded atomic mass)
 Neutrons = 12 - 6 = 6 (nucleons - protons = neutrons)

3
Li
Lithium
6.941



Protons = 3 (atomic number)
 Electrons = 3 (same as protons)
 Nucleons = 7 (particles in nucleus = rounded atomic mass)
 Neutrons = 7 - 3 = 4 (nucleons - protons = neutrons)